



## LF-2000 Intelligent Temperature Controlled Soldering Station Lead-Free 90W

### Specifications:

Input Power: 110-115 Vac  
or 220-240 Vac. 50/60Hz

Wattage: 90 Watt (32Vac)

Temperature Range: 200-  
480°C/392-842°F

Temperature Stability:  
± (3°C/6°F) of idle.

Heating Element: Low  
Voltage Ceramic

Dimensions: 4.3"x6.2"x5.4"

Heat-Up Time: 0-300°C≤  
30 seconds.

ESD Protection: External  
Ground Port + 3 Wire  
Power Cord. ESD Safe

Housing: Aluminum Alloy  
EMI protection

Control Function: Micro-  
Processor Control

Auto Power Down: Yes

Suspend Function: Yes

Temperature Adjust Lock-  
Out. Yes

Warranty: 12 Months  
(excludes consumption  
items)

Optional Items: Thermal  
SMT Tweezers TWZ90

For additional information  
or ordering assistance  
please call toll free 877-  
700-6085 to speak with a  
Xytronic Soldering  
Specialist.



The XYtronic LF2000... combines both  
Intelligence and Power to tackle the  
really tough soldering jobs.

### XYtronic Soldering Systems...

*Serving the electronics industry since 1984*

.....Shingle Springs, CA. Xytronic-USA is  
pleased to announce the arrival of the all new  
LF-2000 Intelligent Soldering Station.

Designed specifically for the demands of Lead  
Free Soldering, the LF-2000 is fully  
temperature adjustable, making it the ideal  
choice for both Lead Free and Standard  
Soldering Applications.

The LF-2000 is engineered with "on-board  
micro-processor control", thus enabling the  
operator to take advantage of many functions  
typically found on systems costing much more.

\*LF-2000 Ships with Standard tip 44-710652

- The LF-2000 ships with a well  
balanced and lightweight Soldering  
Pen, engineered to stay cool and  
comfortable in the hand to reduce  
operator fatigue.
- The LF-2000 offers both ESD and  
EMI protection to protect your  
work.
- The LF-2000's Intelligent Control  
Circuitry offers production  
supervisors an "Energy Saver  
Mode" to help save power  
consumption and extend tip life.
- The LF 2000's Temperature  
Display setting is switchable to  
either Centigrade or Fahrenheit  
temperature readings.

Designed with "Spike-Free  
Circuitry", the LF-2000's zero  
voltage switching design offers  
protection against damaging current  
and voltage spikes to keep your work  
safe from unnecessary damage.

The LF-2000 incorporates a unique  
Grounding Jack designed for  
additional operator ESD protection.  
Simply plug your ESD wristband into  
the LF-2000's grounding port for  
additional ESD protection.

For more information regarding the  
many products offered by XYtronic,  
please call or email XYtronic at:

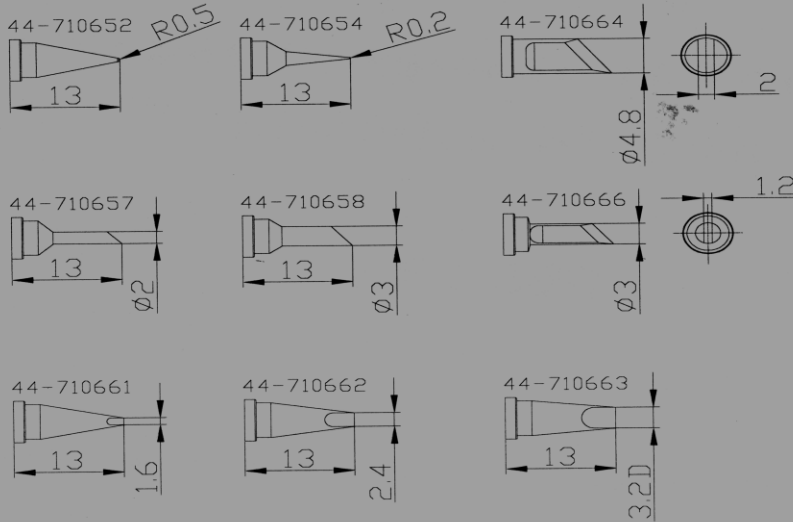
XYtronic  
3869 Dividend Drive  
Shingle Springs, CA 95682  
Phone: USA 530 676-6262  
FAX: USA 530 676-6265  
www.XYtronic-USA.com

# Tip Chart and Accessories

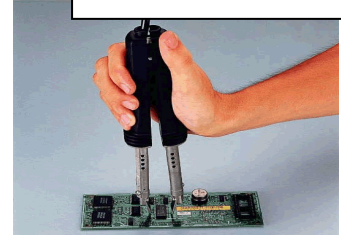
## LF-2000

**XYtronic**  
**Premium Grade Tips**  
**Hi-Temp**

### INTERCHANGEABLE TIPS



### TWZ-90 SMT Tweezers



This optional feature is *specially* designed for SMD chips, SOT, Flat pack IC's, and surface mount electrolytic capacitors.

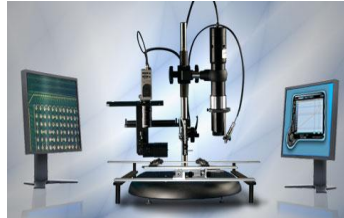
The LF200 Station is designed for Plug and Play Use of the TWZ-90



**XYtronic Fluxes**  
*(RMA, WS, Rosins, No Cleans)*



**LF 8000 Solder/De-solder Station**  
**Lead Free**



**XT5P BGA/SMT Rework Station**



**BGA Inspection Scope "Solview"**

#### Additional Product Offerings By XYtronic

- Hand Tools
- Magnification Lighting
- Soldering Irons
- Soldering Stations
- PCB Pre-Heaters
- Hot-Air Rework Stations
- Fume Extraction



# XYTRONIC

**XYtronic-USA**  
 Toll Free 877-700-6085  
 FAX: USA 530-676-6265

Distributed By: