

## LF-8800 Soldering and Desoldering Station

### Specifications:

Input Power:  
100-120Vac 60Hz  
220-240Vac 50Hz

Wattage: SIA 100W  
DIA 100W

Temperature Range:  
SIA 150-480°C/302-896°F  
DIA 300-450°C/572-842°F

Temperature Stability:  
± (3°C/6°F) of idle.

Heating Element: Premium  
Grade Ceramic

Heat-Up Time: 0-300°C≤  
30 seconds.

ESD Safe: Zero Voltage  
Circuitry, Isolated 32V  
Transformer, 3 Wire Power  
Ground.

Housing: Aluminum Alloy  
EMI protection

Temperature Adjust Lock-  
Out: Yes - Mechanical

Temperature Calibration  
Port: Yes – External

Burn Resistant Cables:  
Yes – Power Cord and  
Solder Iron

Warranty: 12 Months  
(excludes consumption  
items)

For additional information  
or ordering assistance  
please call toll free  
877-700-6085 to speak  
with a Xytronic Soldering  
Specialist.



### The XYtronic LF-8800

*XYtronic's Best All-Around General Purpose  
Soldering and Desoldering Station*

### XYtronic Soldering Systems...

*Serving the electronics industry since 1984*

.....Shingle Springs, CA. Xytronic-USA is pleased to announce the arrival of the Xytronic LF-8800 Solder and Desoldering Station, with an internal vacuum pump. XYtronic-USA's best solution for all your soldering/desoldering equipment needs, especially for lead free applications! We believe you will be more than satisfied with the many features and the versatility of your new soldering/desoldering station. Comes with cleaning kit and additional tweezers.

### Key Features:

**Heater/Sensor Failed Detection:**  
If sensor circuit fails, the heater power is shut down.

**Temperature "Lock-Out" feature:**  
The temperature can be locked with a password code.

**ESD Safe and Spike Free circuitry:**

The "Zero Voltage" electronic switching design protects voltage and current sensitive components (CMOS devices, etc.) against damaging current and transient voltage spikes commonly produced by less efficient, mechanically switched stations.

### Delayed Suction:

To eliminate the problem of solder clogging up the tip, a delayed switch feature has been incorporated for the unit that allows the pump to continue sucking for 1.5 seconds after the actuator switch is released.

### Energy Saver Mode:

If the station is left idle for 20 minutes, the energy saver feature will automatically engage, resetting the temperature to 150°C from the previous setting.

### Iron Working Option:

Both soldering, desoldering irons can be used at the same time.

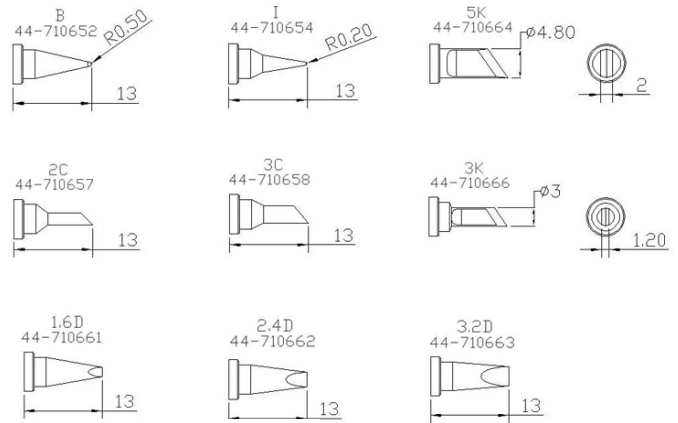
### Optional SMD Tweezers:

Specially designed for SMD chips, SOT, Flat pack IC's etc. reworking.

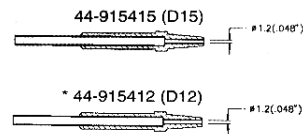
**Optional Hot Air Pencil (HAP 80):**  
Removes SMD chips and flat packs up to 25mm.

Model	LF-8800			
Main power VAC	110/220v			
Iron assembly	Solder	Desolder	Tweezers (optional)	Hot-Air Pencil (optional)
Part #	307A	DIA100	TWZ 90	HAP80
Heater output	32Va.c.	32Va.c.	32Va.c.	32Va.c.
Heater power	100W	100W	90W x 2	80W
Vacuum pump operating voltage	115Va.c. for 100-120V 230V.a.c. for 220-240V mains power			
Temperature range	150-480°C	300-450°C	150-430°C	200-450°C
	302-896°F	572-842°F	300-800°F	400-850°C
Standard tip	* 44-710652	* 44-915412	* 46-060102 (2mm)	*42-424710
Dimensions (W x L x H)	19.1 x 29.2 x 12.1 cm 7.5 x 11.5 x 4.75 in			
Net weight (excluding optional accessories)	6.2kgs (13.75 lbs)			

### LF-8800 Soldering Tips:



### LF-8800 Desoldering Tips:



## Accessories:



Tweezers TWZ-90 SMT



Hot Air Pencil HAP 80



No-Clean Liquid Flux EF 8300

**EASY TO USE:** Make removing SMD chips and flat packs up to 25mm a snap!

**CERAMIC ELEMENTS:** Long life, high insulation heating elements.

**DIRECT HEAT:** Puts the heat where you want it without affecting the surrounding components.

### FOR SMD SMALL CHIPS, SOT REWORK

HAP 80 provides a fast, efficient method to remove or reflow Surface Mount Devices

Interchangeable with DIA 100

High performance yet inexpensive Non-burning silicone rubber cable

### High Activity, Lead-free/SnPb RMA

#### No-Clean Liquid Flux

Rosin-containing, alcohol based flux designed to optimize solderability and reliability

Excellent Lead-free soldering performance on various board finishes.

Evenly spread, tack free residue.

Capable for high density as well as general purpose Lead-Free soldering processes.

Can be used in Lead-free or SnPb processes / Halide free



**XYtronic-USA**  
Toll Free 877-700-6085  
FAX: USA 530 676-6265

Distributed By: